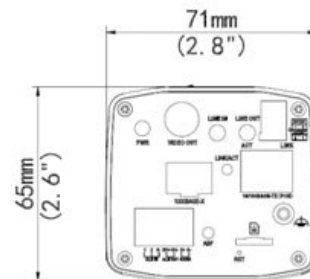
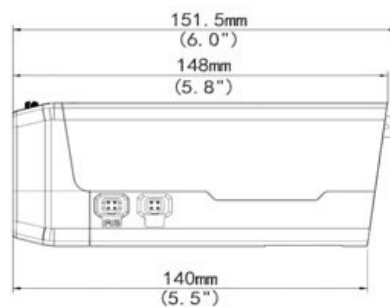


CP- VNC-B4K-VM

4K Ultra HD Network Box camera

INDIGO



Main Features

- 1/1.7" 12 MP PS CMOS Image Sensor
- Max.20 fps@12 MP (4000×3000) , Max.30 fps@4K (3840×2160)
- H.265, H.264, MJPEG Triple-stream Encoding
- DWDR, Day/Night (ICR), Corridor mode, 3DNR, ROI, Defog, AWB, AGC, BLC, HLC
- CS Mount lens, Micro SD Card, Supports PoE
- 6 KV surge protection designed for network interface
- Supports Instastream technology, save disk space and bandwidth upto 70%
- Mobile Software: Android, iOS
- CMS Software: IVMS



Instastream



*Product casing and specifications are subject to change without prior notice

CP- VNC-B4K-VM

4K Ultra HD Network Box camera



Feature

Image Sensor
 Minimum Illumination
 Shutter Speed
 White Balance
 Lens
 Gain Control (AGC)
 Video Compression
 Back Light Compensation
 S/N Ratio
 Video Streaming
 Resolution
 Video Output
 Frame Rate
 Privacy Mask
 ICR
 ROI
 Audio Input
 Audio Output
 Audio Compression
 Alarm IN
 Alarm Out
 Interface
 Protocol
 Smart Detection
 Ethernet
 Smart Phone
 OSD
 Interface Ports
 Micro SD
 Audio

Specification

1/1.7"12 Megapixel CMOS
 Colour: 0.06 Lux (F1.2, AGC ON) B/W:0.03 Lux(F1.2, AGC ON)
 Auto/Manual, 1/6~1/100000 s
 Auto/Manual
 CS Mount Lens
 Auto/Manual
 H.265, H.264, MJPEG
 BLC / HLC / DWDR
 >55dB
 Triple Stream
 12MP(4000× 3000)/8MP(2880× 2880)/6MP(2880× 2160)/3MP(2048× 1536)
 1 BNC, impedance 75 Ω; amplitude 1 V [p-p]
 12 MP (4000×3000):Max.20 fps; 4K (3840×2160):Max.30 fps
 Up to 4 areas
 Automatically removable IR-cut filter (ICR)
 Supports
 impedance 35 kΩ; amplitude 2 V [p-p]
 impedance 600 Ω; amplitude 2 V [p-p]
 G.711
 2 Ch.
 1 Ch.
 1 RS485 (support Pelco-D/P)
 IPv4, IGMP, ICMP, ARP, TCP, UDP, L2TP, DHCP, PPPoE, RTP, RTSP, RTCP, DNS, DDNS, NTP, FTP, UPnP, HTTP, HTTPS, SMTP, 802.1x, ONVIF, API
 Intrusion, crossing line, Motion detection, Audio detection, Face detection, Defocus, Scene Change, People counting
 100M/1000M Base-FX SFP + 100M/1000M Base-TX Ethernet
 iPhone, iPad, Android Phone
 Up to 8 OSDs
 1 RS485 (support Pelco-D/P)
 Micro SD, upto 128GB
 Two-way audio Supported



CP- VNC-B4K-VM

4K Ultra HD Network Box camera



Feature

Operating Temperature

Humidity

Power Source

Power Consumption

Dimension

Weight

Specification

-20°C~+60°C(-4°F ~ 140°F)

≤ 95% RH (non-condensing)

24 V AC, 12 V DC, or PoE (IEEE802.3 af)

6.5W (9.5W with ICR on)

151.5mm x 71mm x 65 mm (6.0" x 2.8" x 2.6")

0.48 kg